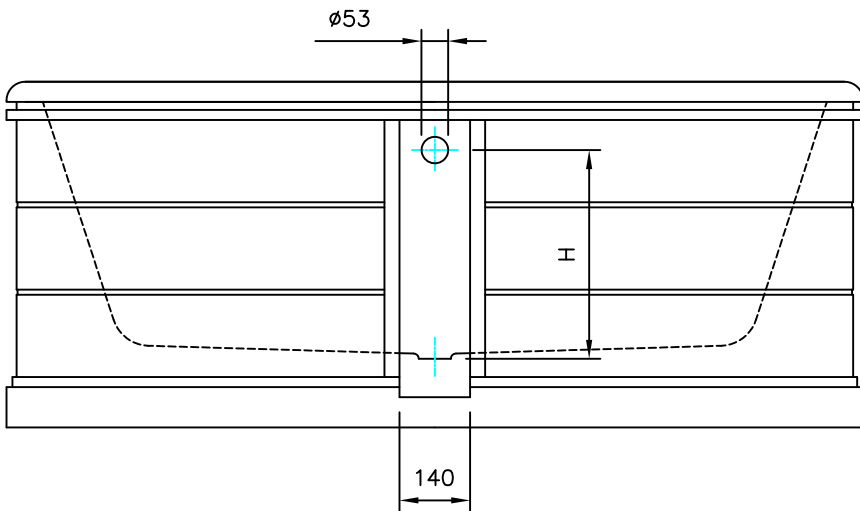
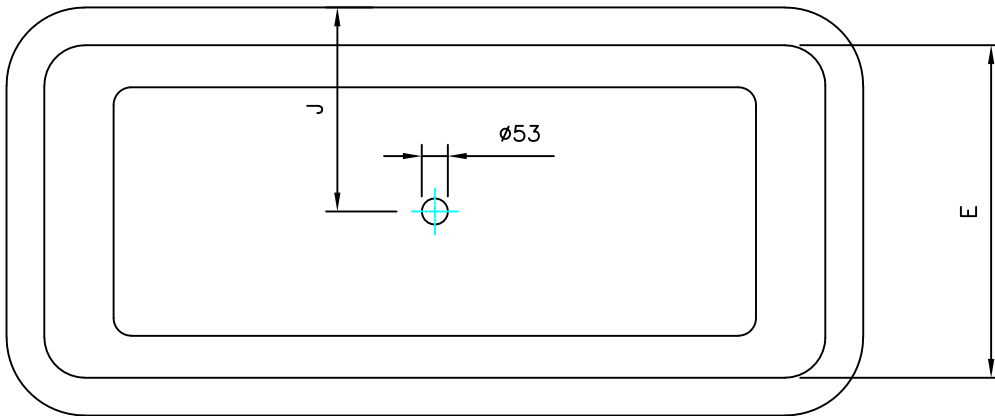
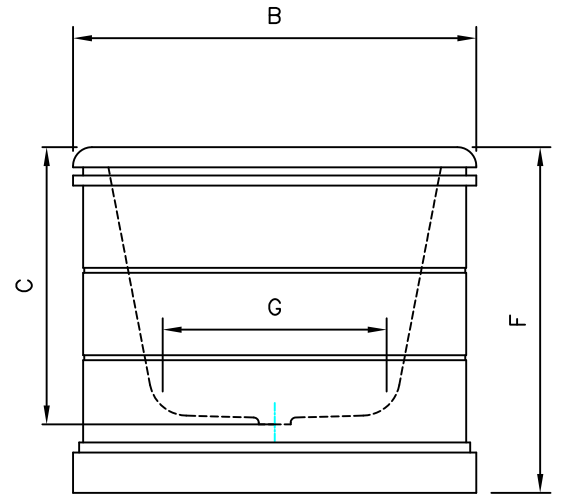
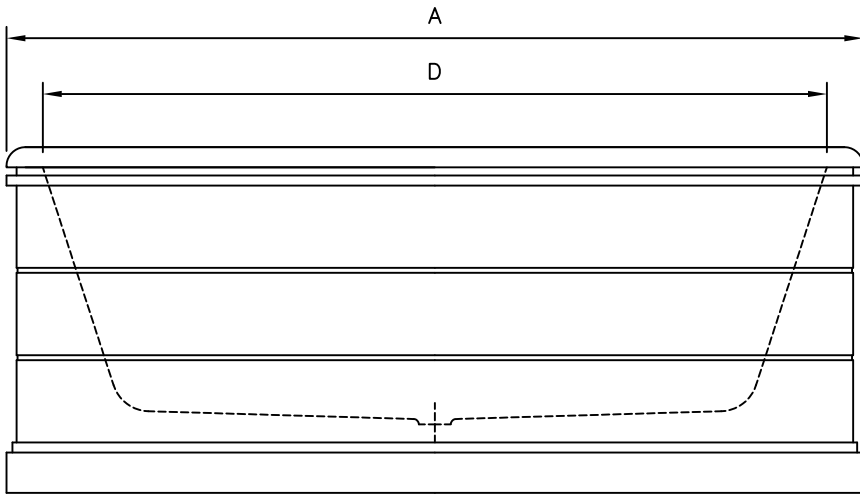


Misure in millimetri

Measurements in millimeters

Mesures en millimètres

COD.	A	B	C	D	E	F	G	H	J	VOL(LT)	WEIGHT(KG)
1870	1700	810	562	1550	660	686	480	460	405	235	220



Email: [INFO@BLEUPROVENCE.IT](mailto:INFO@BLEUPROVENCE.IT)  
Website: [WWW.BLEUPROVENCE.IT](http://WWW.BLEUPROVENCE.IT)

GINGER TEC

BATHTUBS  
ON BASE

